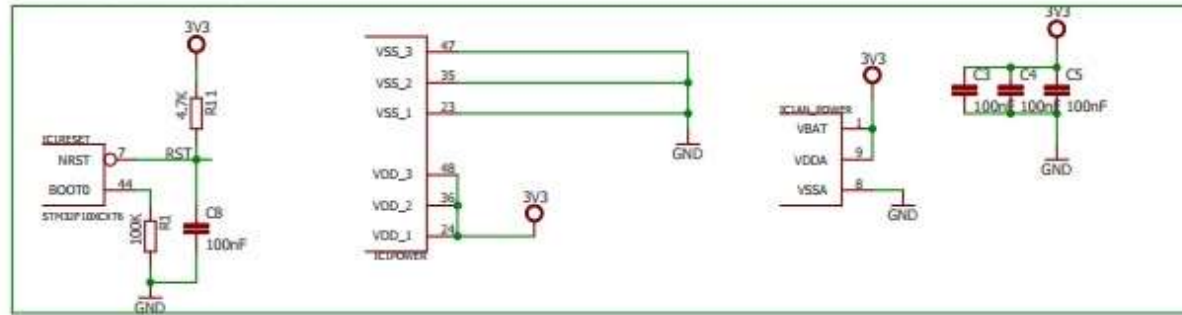
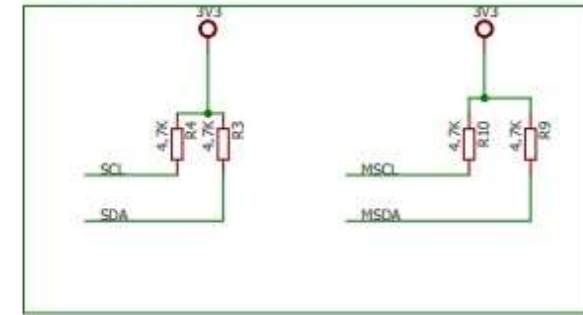


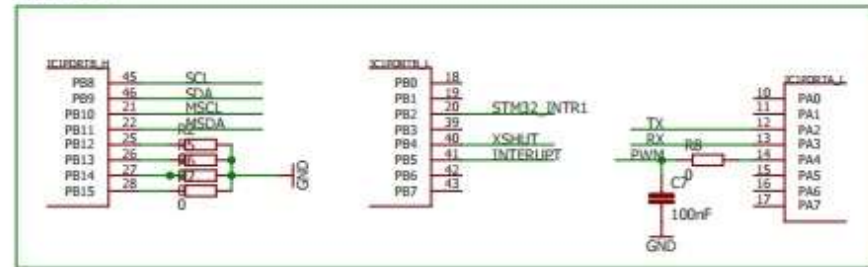
STM32 POWER AND RESET



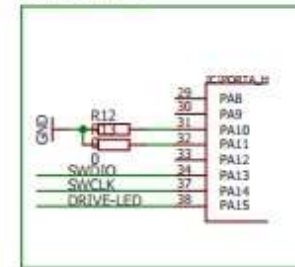
I2C PULL UP



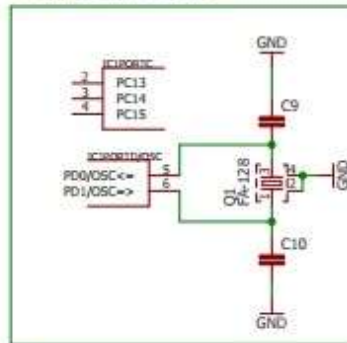
STM32 IO



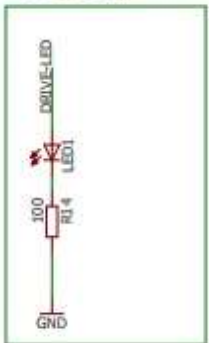
STM32 PROG



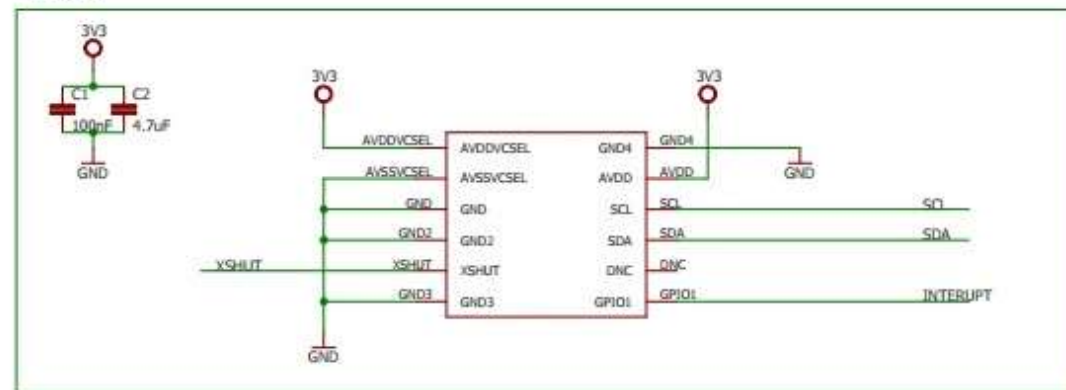
STM32 unused pins



LED EVENT



VL53L0



USER CONNECTOR

